

HF9316

HALF-SIZE CRYSTAL CAN SENSITIVE HERMETICALLY SEALED RELAY



Features

- Coil power can be 0.5W
- High pure nitrogen protection
- All metal welded construction
- Hermetically welded and marked by laser

Conform to GJB1042A-2002 (Equivalent to MIL-R-5757)

AMBIENT ADAPTABILITY

Ambient Grade	I	II
Ambient Temperature	-65°C to 85°C	-65°C to 125°C
Humidity	98%, 40°C	
Low Air Pressure	58.53kPa	4.4KPa
Vibration Resistance	Frequency	10Hz to 2000Hz
	Acceleration	196m/s ²
Shock Resistance	294m/s ²	490m/s ²
Random Vibration Acceleration	40(m/s ²) ² /Hz	
Implementation Standard	GJB1042A (MIL-R-5757)	

CONTACT DATA

Arrangement	2 Form C	
Contact Material	Gold plated hardened silver alloy	
Contact Resistance (max.)	Initial	50mΩ
	After life	100mΩ

COIL DATA

Norminal Coil Power	Approx. 0.5W
---------------------	--------------

Contact Ratings

Ambient Grade	Contact Load	Type	Electrical Life (min.)
I	2A 28Vd.c.	Resistive	1 x 10 ⁵ OPS
	2A 28Vd.c.	Resistive	1 x 10 ⁵ OPS
II	0.1A 115Va.c.	Resistive	1 x 10 ⁵ OPS
	0.5A 28Vd.c. 200mH	Inductive	1 x 10 ⁵ OPS
	0.1A 28Vd.c.	Lamp	1 x 10 ⁵ OPS
	50μA 50mVd.c.	Low Level	1 x 10 ⁵ OPS

SPECIFICATION

Ambient Grade	I	II
Insulation Resistance (min.)	1000MΩ (at 500Vd.c.)	10000MΩ (at 500Vd.c.)
Dielectric Strength Min. (Normal condition)	Between open contacts	500Vr.m.s.
	Between contacts & coil	750Vr.m.s.
	Between contacts & cover	750Vr.m.s.
	Between contacts sets	750Vr.m.s.
	Between coil & cover	500Vr.m.s.
Dielectric Strength Min. (Low air pressure condition)	300Vr.m.s.	350Vr.m.s.
Leakage Rate	1 Pa·cm ³ /s	1 x 10 ⁻³ Pa·cm ³ /s
Operate Time (max.)	6ms	4ms
Release Time (max.)	4ms	
Mounting Style	See "Mounting styles" below	
Terminals	PCB, Solder	
Work Position	Any position	
Weight (max.)	13g	



HONGFA RELAY

ISO9001、ISO/TS16949、ISO14001、OHSAS18001 CERTIFIED

2007 Rev. 1.00

COIL DATA

Coil Version

Vd.c.

Coi Voltage		25°C					-65°C to 125°C			
Nominal Voltage	Max	Pick-up Voltage max		Hold Voltage max		Drop-out Voltage min	Coil Resistance (1±10%) Ω	Pick-up Voltage max		Drop-out Voltage min
		I	II, III	I	II, III			I	II, III	
005	7	3.3	2.20	1.65	1.32	0.21	47	4.3	3.2	0.12
006	9	4.0	2.75	2.00	1.65	0.27	75	5.1	4.0	0.17
012	20	8.0	5.60	4.00	3.35	0.55	310	10.2	8.0	0.35
027	35	17.8	11.4	9.00	6.90	1.10	1030	23.0	16.5	0.70
036	56	23.8	18.0	12.00	10.9	1.80	2640	30.6	26.0	1.10

Notes: We can offer many kinds of of coil voltage under the requirement of users.

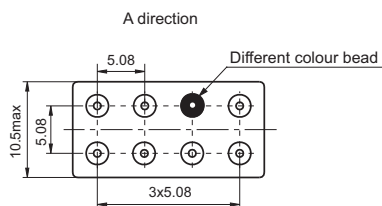
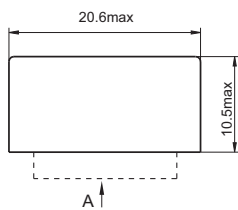
ORDERING INFORMATION

Type	HF9316	-012	0	1	I
Coil Voltage	5, 6, 12, 27, 36Vd.c.				
Mounting Styles	0, 1, 2, 3 (See " Mounting styles " below)				
Terminals	1, 3, 4 (See " Terminal styles " below)				
Ambient Grade	I, II				

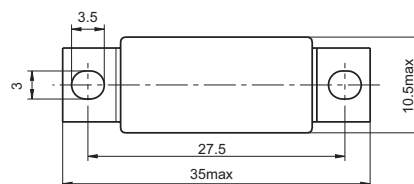
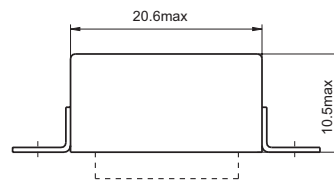
OUTLINE DIMENSIONS, WIRING DIAGRAM AND PC BOARD LAYOUT

Unit: mm

Mounting style 0



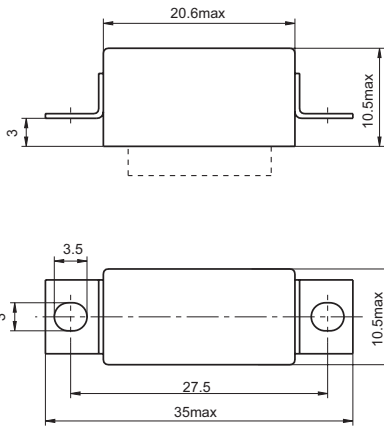
Mounting style 1



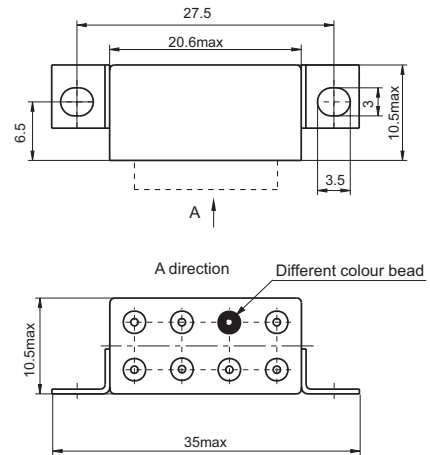
OUTLINE DIMENSIONS, WIRING DIAGRAM AND PC BOARD LAYOUT

Unit: mm

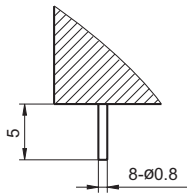
Mounting style 2



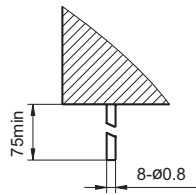
Mounting style 3



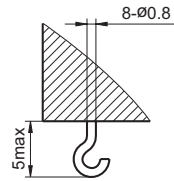
Terminal style 1



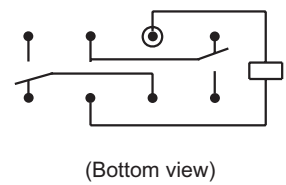
Terminal style 3



Terminal style 4



Wiring Diagram



Disclaimer

This datasheet is for the customers' reference. All the specifications are subject to change without notice. We could not evaluate all the performance and all the parameters for every possible application. Thus the user should be in a right position to choose the suitable product for their own application. If there is any query, please contact Hongfa for the technical service. However, it is the user's responsibility to determine which product should be used only.